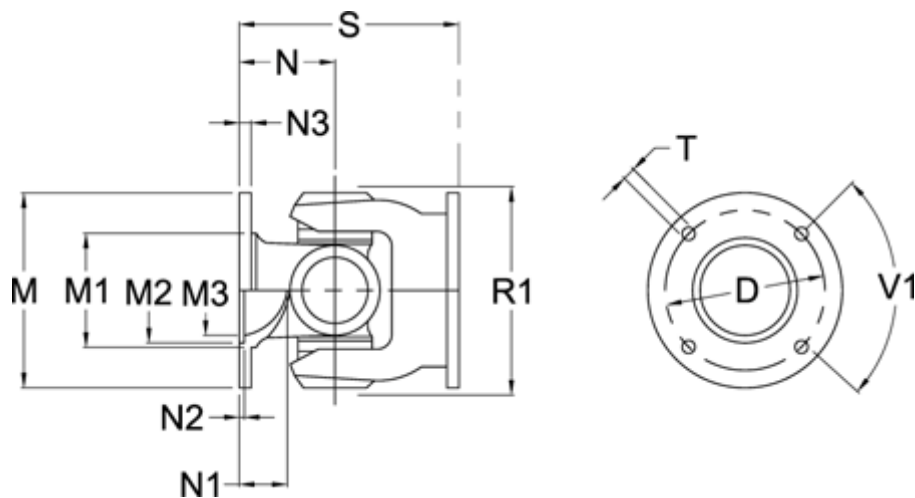


Article number: 07110405001

Description: Universal joint single 0.110.405.001
S=116 X= Bore with keyway

Measures



D	= 84 \pm 0,1	N2	= 25 \pm 0,5
Flange diameter M	= 100	N3	= 7
M1	= 66	Number og Flangeholes	= 6
M2	= 57	R1	= 98
M3	= 56	S min	= 116
Max. Bending Angle degrees	= 35	T	= 8 B12
N	= 58	V1 degrees	= 60
N1	= 23		